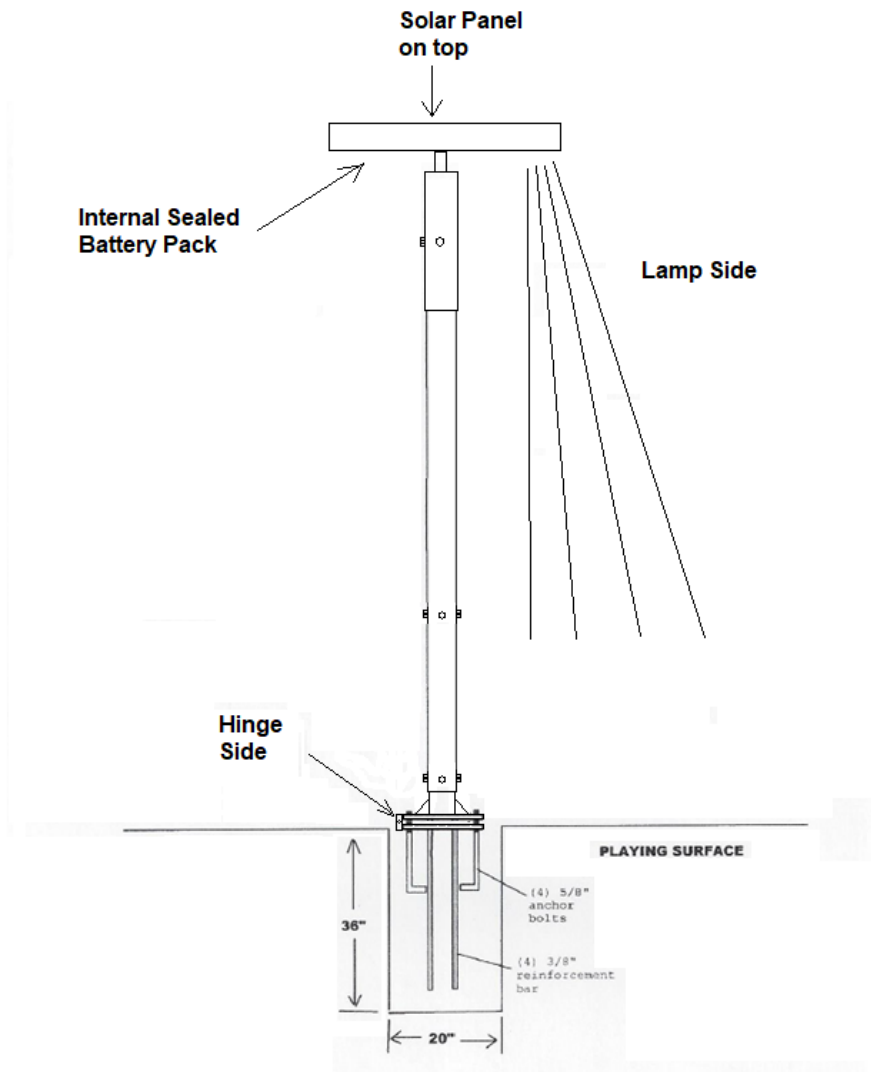


FIRST TEAM SPORTS, INC.

COURTVISION™ SOLAR COURT LIGHT INSTALLATION INSTRUCTIONS

(rev. 4/14/2021)

FIGURE A



BILL OF MATERIALS

- | | |
|----------------------------|---------------------|
| (4) 5/8" x 12" J-Bolt | (1) Anchor Template |
| (4) 3/8" Rebar | (1) Hinge Plate |
| (16) 5/8" Hex Nut | (1) Post Stump |
| (4) 5/8" Flat Washer | (1) Main Post |
| (4) 5/8" Lock Washer | (1) Top Cap |
| (2) 3/8" x 1 1/4" Hex Bolt | (1) Light Fixture |
| (10) 3/8" x 1" Hex Bolt | |
| (10) 3/8" Flat Washer | |
| (2) 3/8" Flange Lock Nut | |

*NOTE: Immediately unpack all components and cross check against bill of materials. Report any shortages to First Team customer service at 1-888-884-6677.

COURT VISION POST COMPONENTS

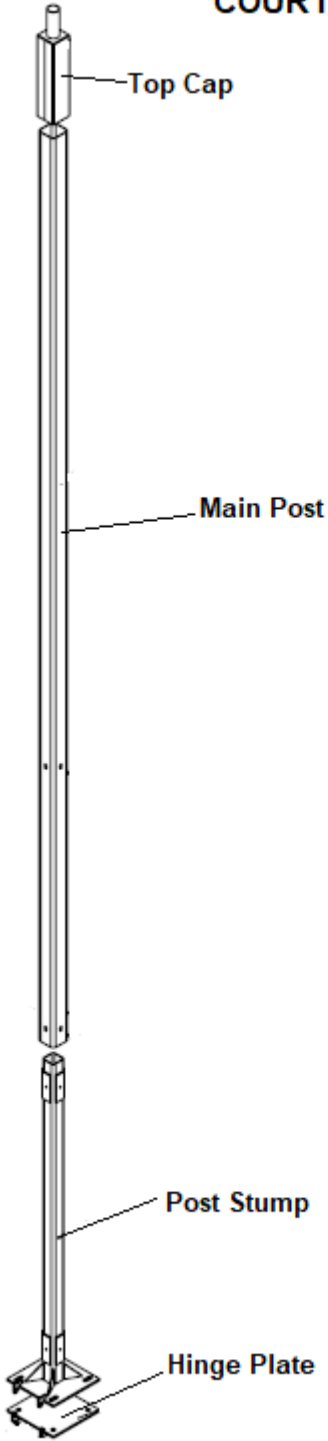
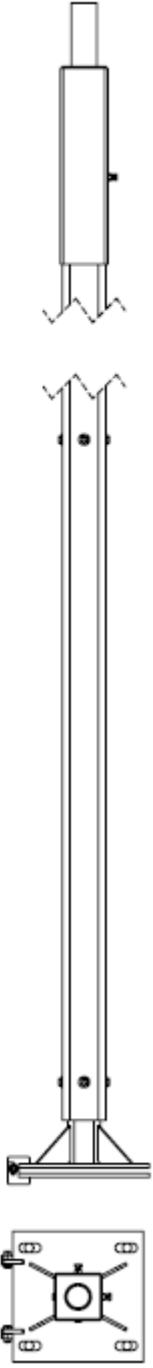
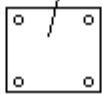


FIGURE B



Anchor Template



1. Locate and dig a 36" deep and 20" square hole. Hole should be located as close to the playing surface as possible. Be sure to bell out the bottom 12" of the hole to give added stability to the footing. NOTE: If you live in an area where the frost line is below 36" it is advisable to dig to normal frost line. Do not cheat on the hole size, it is imperative that the hole be a minimum of 36" deep and 20" square!
3. Assemble the anchor kit as shown in **FIGURE C**. First thread a 5/8" hex nut all the way on to each J-Bolt. This should result in approximately 3" of exposed thread past the nut. Place the threaded end of each J-Bolt through the 4 holes located in the anchor template. Then thread a second 5/8" nut on to each J-Bolt until tight against the template, making sure to keep the J-Bolt hooks pointing in toward the center of the template.
4. For this step you will need: Level; Broomstick; Tape Measure. The 36" x 20" anchor footing will require approximately 1/3 yard of 3000 psi concrete (18-20 60# sacks of premix concrete). More will be needed if you dig a larger hole. Make certain that you have enough concrete to finish the job. Allowing a portion to dry while you purchase more concrete will weaken the footing.
5. Mix the concrete according to the instructions on the bag. It is better to mix it slightly wet **than** too dry. Fill the hole full to ground level with as little time between batches as possible. Insert the broomstick in 3 or 4 different places and vibrate up and down to settle the concrete.
Submerge the (4) anchor footing rebar pieces into the center of the hole spaced evenly approx. 8"x8" apart. Next set the anchor bolt assembly into the wet concrete, vibrate it as it goes in to make sure the concrete fills in around the J-Bolt hooks. Make sure the template is pressed firmly against the top of the wet concrete. Use the level to ensure that it is level in all directions. Additionally, the center line of the J-Bolts must be parallel with the edge of the playing surface. See **FIGURE D**

STOP HERE! Allow footing to cure for seven days before proceeding.

6. Take off the top 5/8" nuts from the J-Bolts, remove the template and discard it.
7. Thread a second 5/8" nut on to each J-Bolt down against the nut embedded in the concrete.
8. Place the HINGE PLATE down on top of the anchor bolts so it rests against the (4) 5/8" hex nuts.
9. Thread a 5/8" hex nut down onto each anchor bolt to secure the HINGE PLATE.
10. Using (2) 3/8" x 1 1/4" Hex Bolts, (4) 3/8" Flat Washers and (2) 3/8" Flange Lock Nuts, attach the POST STUMP to the HINGE PLATE as shown in **PHOTO 1**. Leave nuts finger tight for now, do not tighten. Bolts must be allowed to freely move in the joint.
11. Hinge POST STUMP backwards so it lays relatively flat.

12. One end of the MAIN POST has slotted holes cut into it. Slide the end with the slotted holes over the POST STUMP lining up the threaded holes in the POST STUMP with the slotted holes in the MAIN POST.
13. Using (8) 3/8" x 1" Hex Bolt and (8) 3/8" Flat Washer, secure MAIN POST to POST STUMP on all four sides.
14. Slide TOP CAP onto top of MAIN POST and secure using (2) 3/8" x 1" Hex Bolts. It does not matter what orientation you choose for the TOP CAP. Tighten Hex Bolts until snug. DO NOT OVERTIGHTEN BOLTS!
15. Follow the instructions included with the LIGHT FIXTURE to secure the LIGHT FIXTURE to the TOP CAP. Make sure to orient the LIGHT FIXTURE so the bulbs are to the court side and battery pack side is to the back.
16. Once LIGHT FIXTURE is properly secured to TOP CAP, refer again to the instructions included with the LIGHT FIXTURE to turn the LIGHT FIXTURE on and adjust it to the desired setting. NOTE: Most customers choose the setting that allows the light to be turned on/off at nighttime using the remote control.

WARNING! BE VERY CAREFUL WITH THE NEXT STEP. MAINTAIN CONTROL OF POST ASSEMBLY AT ALL TIMES. MINIMUM OF TWO ADULTS REQUIRED. DO NOT ALLOW POST TO FALL!

17. Using a minimum of two people, stand the MAIN POST upright so the base plate of the POST STUMP rests against the top of the 5/8" Hex Nuts underneath. Once MAIN POST is upright, have one person hold the MAIN POST steady while another person installs a 5/8" Lock Washer and 5/8" Hex Nut onto the top of each ANCHOR BOLT. **See PHOTO 2**
18. Place a level on the front and sides of MAIN POST. Adjust 5/8" Hex Nuts located under the POST STUMP base plate to level MAIN POST front to back and side to side.
19. Once MAIN POST is level in all directions, tighten 5/8" Hex Nuts on top of POST STUMP and tighten 3/8" Hex Nuts on the HINGE PLATE to permanently secure entire assembly in place.
20. Installation of your COURTVISION solar court light is complete.

FIRST TEAM SPORTS, INC.
902 COREY ROAD
HUTCHINSON, KS 67501
www.firstteaminc.com

FIGURE C

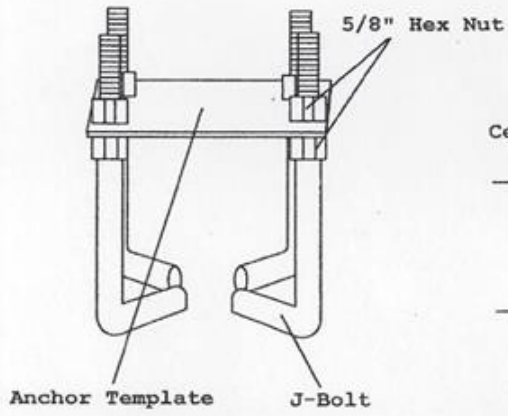


FIGURE D

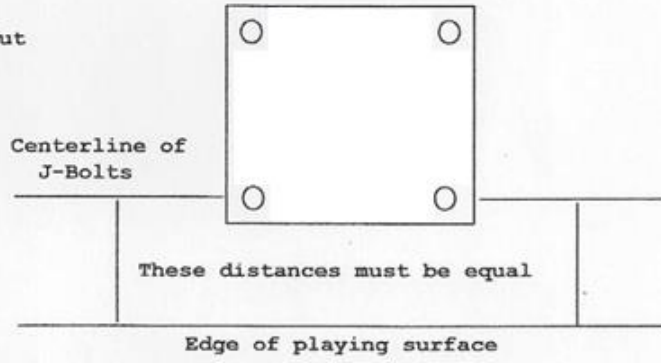


PHOTO 1

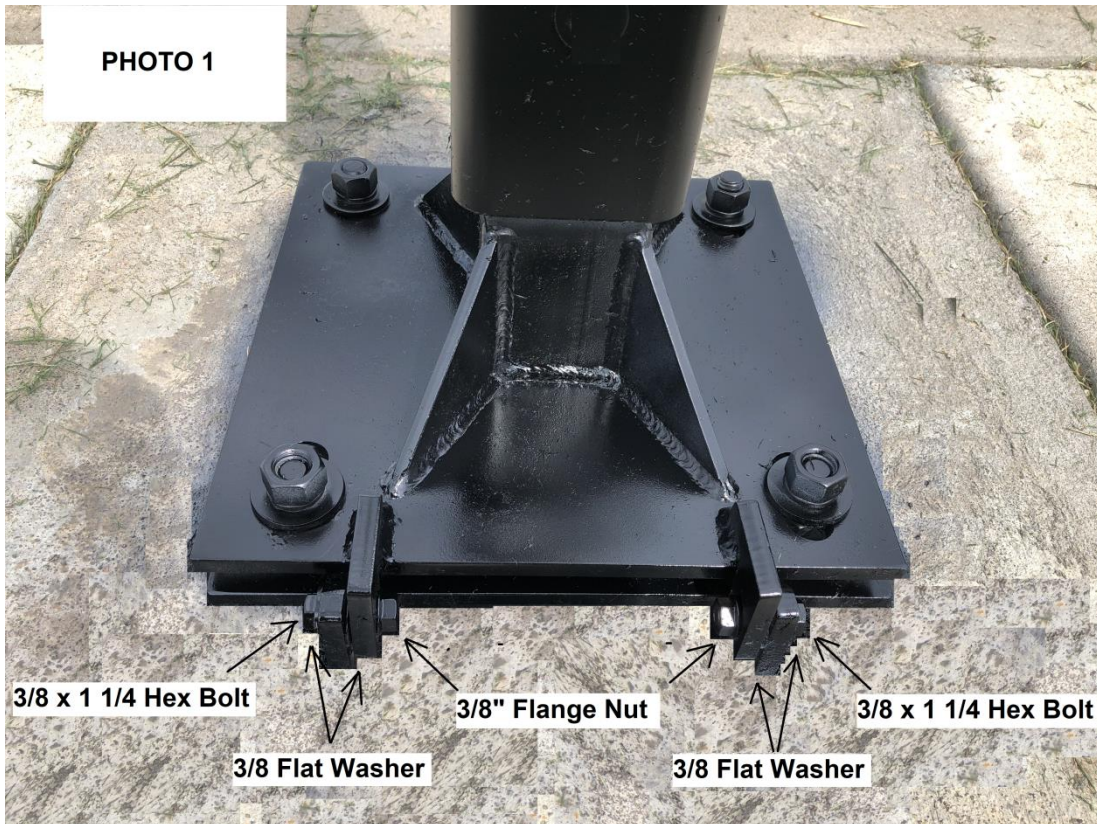


PHOTO 2

